

NEXT

TESLA ENERGY



Engineered
in Italy

FULL SQUARE



TEA 320 / 325 / 330 M NEXT

Monocrystalline Photovoltaic Module - 60 cells



CE

GENERAL FEATURES

- **15-year product warranty**
- **High-efficiency full square PERC cells** optimized for low irradiance, decrease ohmic losses and increase the yield
- **Increased power up to 10%** on standard dimensions
- **Higher yield at low irradiance**
- Maximum **resistance against hail** (83 km/h, 2.5 mm)
- Quality control with **electroluminescence (EL) tests** on each module

CERTIFICATIONS

- > **IEC 61215:2016 - IEC 61730:2016 & Factory Inspection**
- > **Fire Resistance - Class C**
- > **Salt Corrosion Resistance** IEC 61701
- > **Ammonia Corrosion** IEC 62716
- > **Dust and Sand Resistance** IEC 60068-2-68
- > **PID Certified** 2 PFG 2387



NEW

GUARANTEES

Performance guarantee

Max power decrease **0.5%/year**

97% at the end of first year

90% at the end of 20th year

87% at the end of **25th year**

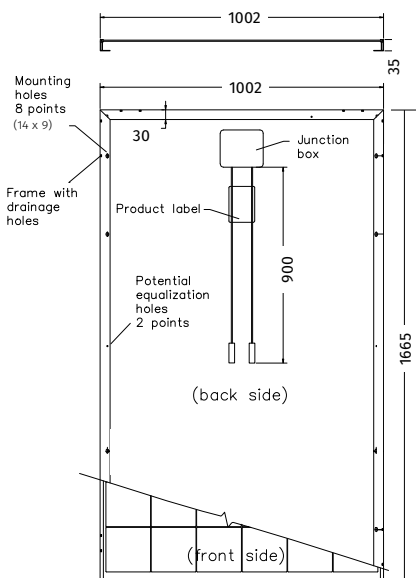
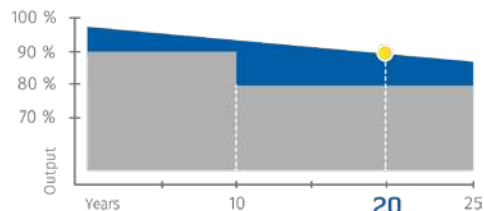
NEW

Product guarantee

15 YEARS

NEW

- Market standard performances
- Tesla Energy performances



Note: dimensions in mm
tolerance +/- 2 mm

ELECTRICAL DATA

MODULE NEXT		TEA 320M	TEA 325M	TEA 330M
<i>Standard Test Conditions STC: 1000 W/m² - AM 1.5 - 25 °C - tolerance: Pmax (±3%), Voc (±4%), Isc (±5%)</i>				
Module power (Pmax)	W	320	325	330
Open circuit voltage (Voc)	V	41.24	41.44	41.66
Short circuit current (Isc)	A	9.88	9.96	10.04
Maximum power voltage (Vmpp)	V	33.68	33.93	34.17
Maximum power current (Impp)	A	9.51	9.58	9.66
Module efficiency	%	19.18	19.48	19.78

<i>Nominal Module Operating Temperature NMOT: 800 W/m² - T=45 °C - AM 1.5</i>				
Module power (Pmax)	W	235.11	238.60	242.29
Open circuit voltage (Voc)	V	38.04	38.22	38.43
Short circuit current (Isc)	A	8.12	8.19	8.26
Maximum power voltage (Vmpp)	V	30.48	30.71	30.92
Maximum power current (Impp)	A	7.71	7.77	7.84

TEMPERATURE RATINGS

Temperature coefficient Isc	%/°C	0.037
Temperature coefficient Voc	%/°C	-0.266
Temperature coefficient Pmax	%/°C	-0.366
NMOT *	°C	45
Operating temperature	°C	from -40 to +85

* Nominal Module Operating Temperature

MECHANICAL SPECIFICATIONS

Dimensions	1665 x 1002 x 35 mm
Weight	18.4 kg
Glass	Tempered, ARC, transparent, 3.2 mm
Cell encapsulation	EVA (Ethylene Vinyl Acetate)
Cells	60 monocrystalline PERC cells 158.75x158.75 mm
Backsheet	Composite multilayer film
Frame	Anodized aluminium frame with mounting and drainage holes
Junction box	Certified according to IEC 62790, IP 68 approved, 3 bypass diodes
Cables	Solar cable, length 900 mm assembled with MC4-combinable plugs
Maximum reverse current (Ir)	20 A
Maximum system voltage	1000 V (1500 V on request)
Mechanical load (snow)	Design load: 3600 Pa 5400 Pa (including safety factor 1.5)
Mechanical load (wind)	Design load: 3600 Pa 5400 Pa (including safety factor 1.5)
Protection Class	II - accordance to IEC 61730

Authorized Dealer



Silo Road, Yakhchal Street, House No. 14
Police District #3, Kabul, Afghanistan
Tel + 44 7810806613 or +93 777762256
www.teslaenergyafghanistan.com

2020_60m_320-330_Next_en