



Artemis Family

***Low-profile design,
Outstanding performance***

Tesla Energy Afghanistan

Address: Radio Kiled Street, Klola Poshta, district #4
Kabul / Afghanistan
info@teslaenergyafghanistan.com
www.teslaenergyafghanistan.com

*The product design and specification are subject to change without prior notice. All right reserved.

TESLA LED Benefits

- Superior light quality.
- 80% lumen maintenance after 60,000 hours.
- Up to 95+ lm/w @ 700mA drive current.
- Significant energy savings.
- No hazardous substances.
- IP66 rated to withstand dust and moisture.
- Polycarbonate lens kits.
- 5 years warranty.
- Various light distribution available.

Widely used in gas station, parking garage, warehouse, tunnel, factory, campus

Proven Brilliance



Artemis Family:



Features and Benefits:

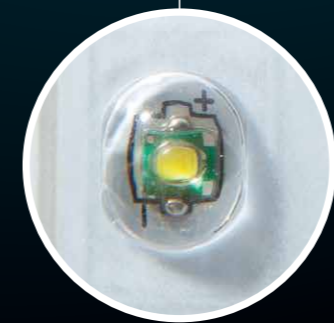
- Sufficient optical system options with symmetrical light distribution.
- Modular design, 14 LEDs each module, and the modules are upgradeable, replaceable modules.
- Sufficient wattages and lumen output @700mA each module. The maximum number of modules is 10, and the maximum wattage is 300W as a nominal value.
- Top quality LED light source and LED electronic driver.
- Worldwide safety, eco-friendly and photometrics standard compliant.
- Shorter payback period based on most competitive cost ownership and operating cost.



Ceiling-mount bracket



14 LEDs per module, maximum 10 modules.
Replaceable & upgradeable modules.



Polycarbonate lens kits
Symmetrical lens options



Control drivers at both end caps



Multiple Dimming Options

0-10V Dimming for Energy Saving

DALI for remote monitoring and reporting and networking

Integrated Dynadim for hassle free, wireless dimming

AOC, Thermal Protection and CLO

AOC- enables the OEM to adjust the Imns and Im/W and Im/\$ based on application and requirement

NTC-Enables the OEM to monitor and maintain warranty

CLO enables for L9950khrs and over all energy savings

Diagnostics and Add-On Control-Ready

Enables the OEM/end user/utilities to access all the lamp parameters, failure data and power consumption info

System Warranty and Reliability

One stop, 5 year Driver+ Module system warranty with 50khrs With <0.01% failure rate

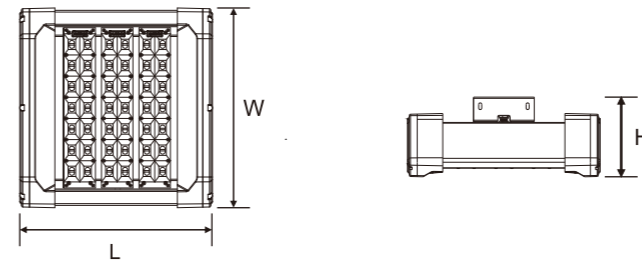
Surface Mount LED Canopy Light

BY2G4 series - Artemis Family



Model Number	System Power (W)	# of LEDs	Lumen Output 5000K (lm)	Weight(KG)	Dimensions (mm)
BY2G28014	33	1 x 14	3100	3.40	L221 x W330 x H137.5
BY2G28024	62	2 x 14	5800	4.30	L253 x W330 x H137.5
BY2G28034	93	3 x 14	8800	5.30	L315 x W330 x H137.5
BY2G28044	123	4 x 14	12300	6.30	L377 x W330 x H137.5
BY2G28054	155	5 x 14	15500	7.30	L439 x W330 x H137.5
BY2G28064	185	6 x 14	18500	8.30	L501 x W330 x H137.5
BY2G28074	216	7 x 14	21600	9.30	L563 x W330 x H137.5
BY2G28084	246	8 x 14	24600	10.30	L625 x W330 x H137.5
BY2G28094	277	9 x 14	27700	11.30	L687 x W330 x H137.5
BY2G28104	308	10 x 14	30800	12.30	L749 x W330 x H137.5

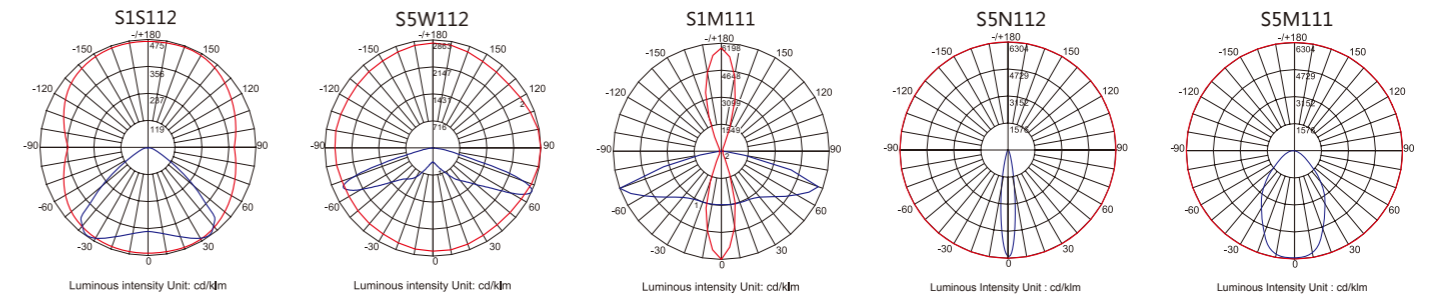
Dimensional drawing



Optical Specs:

LED Color Temperature	5000K (Options: 4000K and 3000K)
Color Rendering Index	Ra>70 (Options: Ra=75, Ra=80)
Light Distribution & LENS Kit Options	S1S112 (95°H x 85° V, low bay) S5W112 (150°, Parking Garage) S1M111 (150° H x 90° V, low bay) S5M111(75°, high bay) S5N112(20°, high bay)
Operating Temperature & Humidity	-40°C ~ 50°C / 10~95RH
Classification	IP66, Class I.
L70 hours @ 25°C	100,000

Light Distribution Curve

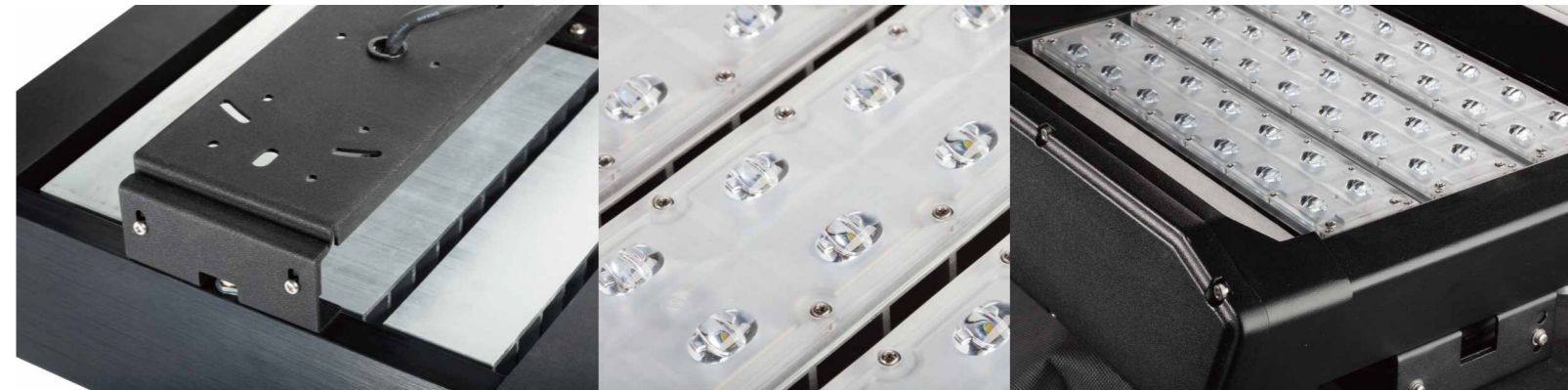


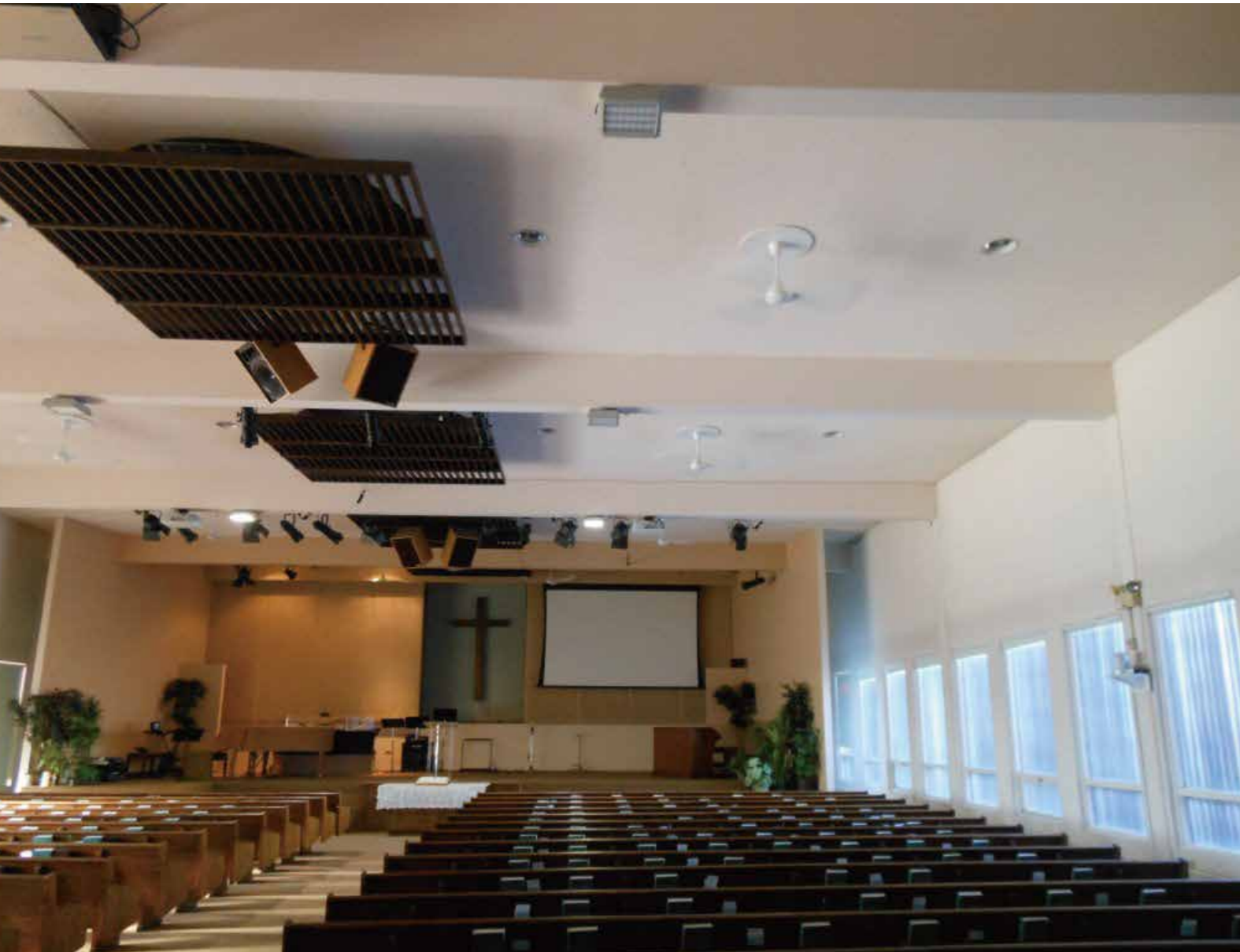
Electrical & other general Specs

Input	120~200~240~277V 50/60Hz (Option: 347~480V 50/60Hz)
Power Factor	>0.95
Drive Current	700mA (Options: 350mA, 525mA)

Material

Origin of LED Light Source	CREE or Lumileds
Origin of LED Driver(s)	Philips
Housing	Die cast aluminium
Heatsink	Extruded aluminium
Optics lens	Polycarbonate plastic





LED Canopy Lights for Church in Canada



Guatemala, South America



Osaka, Japan

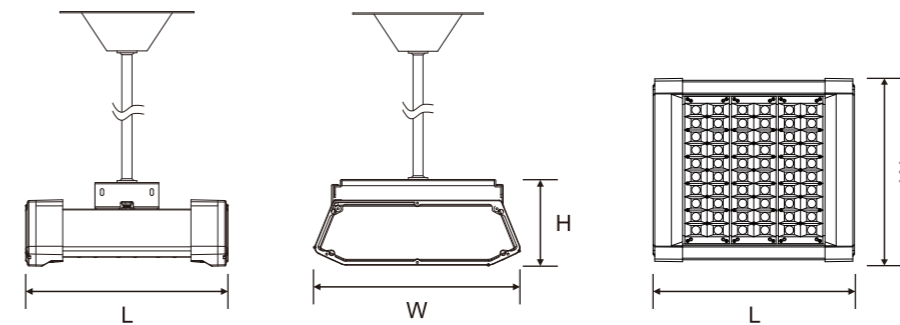
Pendant Mount LED Canopy Light

BY2G3 series - Artemis Family



Model Number	System Power (W)	# of LEDs	Lumen Output 5000K (lm)	Weight(KG)	Dimensions (mm)
BY2G28013	33	1 x 14	3100	5.00	L221 x W330 x H137.5
BY2G28023	62	2 x 14	5800	5.60	L253 x W330 x H137.5
BY2G28033	93	3 x 14	8800	6.25	L315 x W330 x H137.5
BY2G28043	123	4 x 14	12300	6.98	L377 x W330 x H137.5
BY2G28053	155	5 x 14	15500	7.68	L439 x W330 x H137.5
BY2G28063	185	6 x 14	18500	9.33	L501 x W330 x H137.5
BY2G28073	216	7 x 14	21600	11.60	L563 x W330 x H137.5
BY2G28083	246	8 x 14	24600	12.12	L625 x W330 x H137.5
BY2G28093	277	9 x 14	27700	14.30	L687 x W330 x H137.5
BY2G28103	308	10 x 14	30800	16.18	L749 x W330 x H137.5

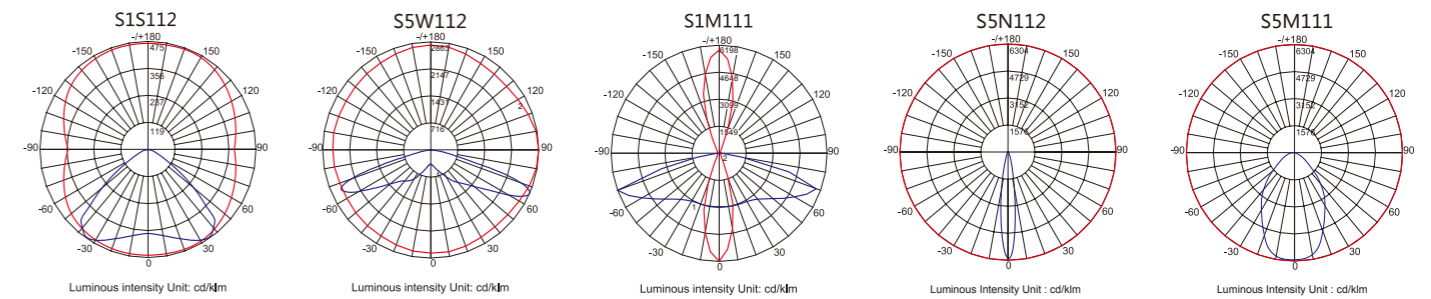
Dimensional drawing



Optical Specs:

LED Color Temperature	5000K (Options: 4000K and 3000K)
Color Rendering Index	Ra>70 (Options: Ra=75, Ra=80)
Light Distribution & LENS Kit Options	S1S112 (95°H x 85° V, low bay) S5W112 (150°, Parking Garage) S1M111 (150° H x 90° V, low bay) S5M111(75°, high bay) S5N112(20°, high bay)
Operating Temperature & Humidity	-40 C ~ 50 C / 10 ~ 95RH
Classification	IP66, Class I.
L70 hours @ 25 C	100,000

Light Distribution Curve



Electrical & other general Specs

Input	120~200~240~277V 50/60Hz (Option: 347~480V 50/60Hz)
Power Factor	>0.95
Drive Current	700mA (Options: 350mA, 525mA)

Material

Origin of LED Light Source	CREE or Lumileds
Origin of LED Driver(s)	Philips
Housing	Die cast aluminium
Heatsink	Extruded aluminium
Optics lens	Polycarbonate plastic



Project References



Houston, USA



Kentucky, USA



Edmonton, Canada

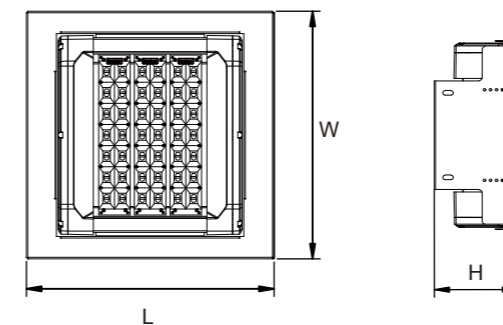
Recessed Mount LED Canopy Light

BY2G5 series - Artemis Family



Model Number	System Power (W)	# of LEDs	Lumen Output 5000K (lm)	Weight(KG)	Dimensions (mm)
BY2G28025	62	2 x 14	5800	7.54	L410 x W410 x H154
BY2G28035	93	3 x 14	8800	8.60	L410 x W410 x H154
BY2G28045	123	4 x 14	12300	9.60	L472 x W410 x H154
BY2G28055	155	5 x 14	15500	10.60	L534 x W410 x H154
BY2G28065	185	6 x 14	18500	11.69	L596 x W410 x H154

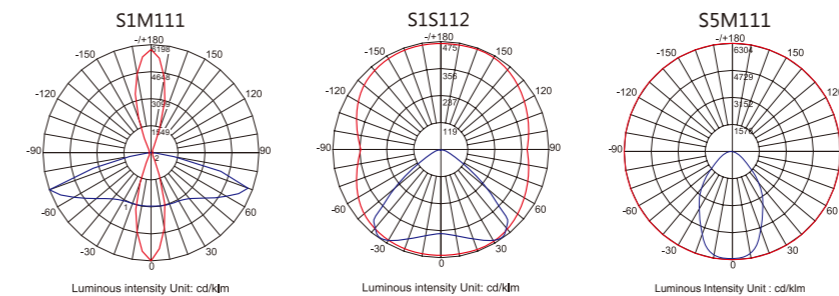
Dimensional drawing



Optical Specs:

LED Color Temperature	5000K (Options: 4000K and 3000K)
Color Rendering Index	Ra>70 (Options: Ra=75, Ra=80)
Light Distribution & LENS Kit Options	S1S112 (95°H x 85° V, Type I Short) S5M111(75°, Canopy) S1M111 (150° H x 90° V, Type I Medium)
Operating Temperature & Humidity	-40 C ~ 50 C / 10 ~ 95RH
Classification	IP66, Class I.
L70 hours @ 25 C	100,000

Light Distribution Curve



Electrical & other general Specs

Input	120~200~240~277V 50/60Hz (Option: 347~480V 50/60Hz)
Power Factor	>0.95
Drive Current	700mA (Options: 350mA, 525mA)

Material

Origin of LED Light Source	CREE or Lumileds
Origin of LED Driver(s)	Philips
Housing	Die cast aluminium
Heatsink	Extruded aluminium
Optics lens	Polycarbonate plastic





Florida, USA



90W & 120W Apollo replace 250W HPS Light Florida in the United States



Primax Petrol Station, Peru

FL2F0 series - Artemis Family



Optical Specs:

LED Color Temperature	5000K (Options: 4000K and 3000K)
Color Rendering Index	Ra>70 (Options: Ra=75, Ra=80)
Light Distribution & LENS Kit Options	S1S112 (95°H x 85°V, Type I Short) A2M111 (150°H x 75°V, Type II Medium) S7M111 (132°H x 26.8°V) S1M111 (150° H x 90°V, Type I Medium) A3L112 (155°H x 100°V, Type III Long) S5M111(75°, Type V Medium) S7M111(132°H x 27°V, Type VII Medium) S5N112(20°, Type V Narrow)

Operating Temperature & Humidity	-40 C ~ 50 C / 10 ~ 95RH
Classification	IP66, Class I.
L70 hours @ 25 C	100,000

Electrical & other general Specs

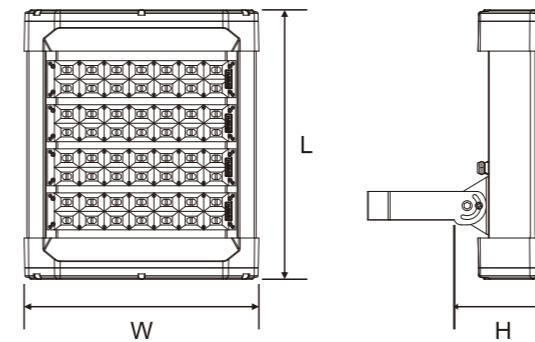
Input	120~200~240~277V 50/60Hz (Option: 347~480V 50/60Hz)
Power Factor	>0.95
Drive Current	700mA (Options: 350mA, 525mA)

Material

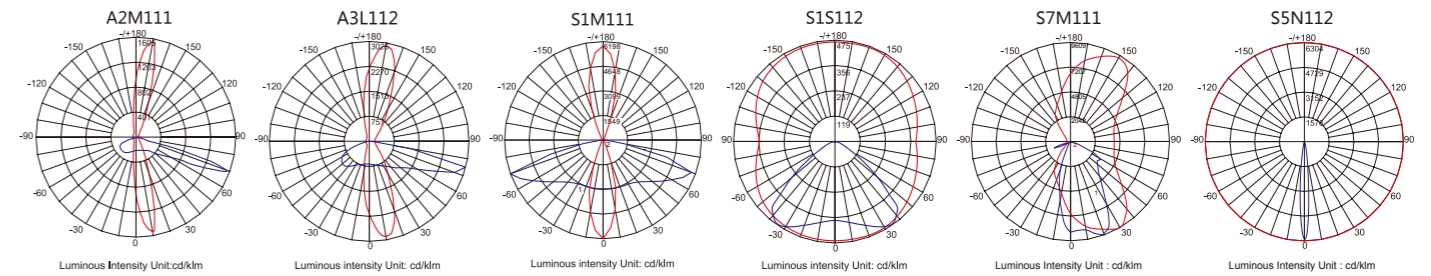
Origin of LED Light Source	CREE or Lumileds
Origin of LED Driver(s)	Philips
Housing	Die cast aluminium
Heatsink	Extruded aluminium
Optics lens	Polycarbonate plastic

Model Number	System Power (W)	# of LEDs	Lumen Output 5000K (lm)	Weight(KG)	Dimensions (mm)
FL2F28010	33	1 x 14	3100	5.80	L229 x W330 x H259
FL2F28020	62	2 x 14	5800	6.30	L253 x W330 x H259
FL2F28030	93	3 x 14	8800	7.20	L315 x W330 x H259
FL2F28040	123	4 x 14	12300	7.80	L337 x W330 x H259
FL2F28050	155	5 x 14	15500	8.40	L439 x W330 x H259
FL2F28060	185	6 x 14	18500	9.56	L501 x W330 x H259
FL2F28070	216	7 x 14	21600	10.70	L563 x W330 x H259
FL2F28080	246	8 x 14	24600	12.68	L625 x W330 x H259
FL2F28090	277	9 x 14	27700	13.90	L687 x W330 x H259
FL2F28100	308	10 x 14	30800	14.50	L749 x W330 x H259

Dimensional drawing



Light Distribution Curve



Project References



General Administration of Sport, Beijing, China



Kuala Lumpur Billboard Malaysia



London, UK

FL2F00 series - Artemis Family



Optical Specs:

LED Color Temperature	5000K (Options: 4000K and 3000K)
Color Rendering Index	Ra>70 (Options: Ra=75, Ra=80)
Light Distribution & LENS Kit Options	A4S112
Operating Temperature & Humidity	-40 C ~ 50 C / 10 ~ 95RH
Classification	IP66, Class I.
L70 hours @ 25 C	100,000

Electrical & other general Specs

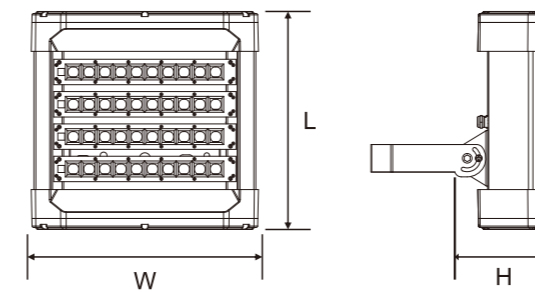
Input	120~200~240~277V 50/60Hz (Option: 347~480V 50/60Hz)
Power Factor	>0.95
Drive Current	700mA (Options: 350mA, 525mA)

Material

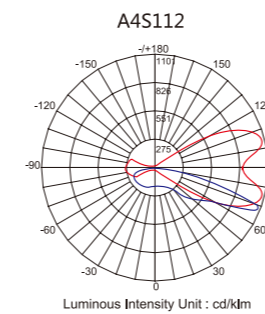
Origin of LED Light Source	CREE or Lumileds
Origin of LED Driver(s)	Philips
Housing	Die cast aluminium
Heatsink	Extruded aluminium
Optics lens	Polycarbonate plastic

Model Number	System Power (W)	# of LEDs	Lumen Output 5000K (lm)	Weight(KG)	Dimensions (mm)
FL2F20020	47	2 x 10	4400	5.30	L208 x W330 x H249
FL2F20030	65	3 x 10	6100	6.00	L255 x W330 x H249
FL2F20040	87	4 x 10	8200	6.70	L302 x W330 x H249
FL2F20050	109	5 x 10	10900	7.40	L349 x W330 x H249
FL2F20060	130	6 x 10	13000	8.10	L396 x W330 x H249
FL2F20070	152	7 x 10	15200	8.80	L443 x W330 x H249
FL2F20080	174	8 x 10	17400	10.20	L490 x W330 x H249
FL2F20090	196	9 x 10	19600	10.90	L537 x W330 x H249
FL2F20100	217	10 x 10	21700	11.60	L584 x W330 x H249
FL2F20110	239	11 x 10	23900	12.30	L631 x W330 x H249
FL2F20120	261	12 x 10	26100	13.00	L678 x W330 x H249
FL2F20130	283	13 x 10	28300	13.70	L725 x W330 x H249
FL2F20140	304	14 x 10	30400	14.40	L772 x W330 x H249
FL2F20150	326	15 x 10	32600	15.10	L819 x W330 x H249

Dimensional drawing



Light Distribution Curve



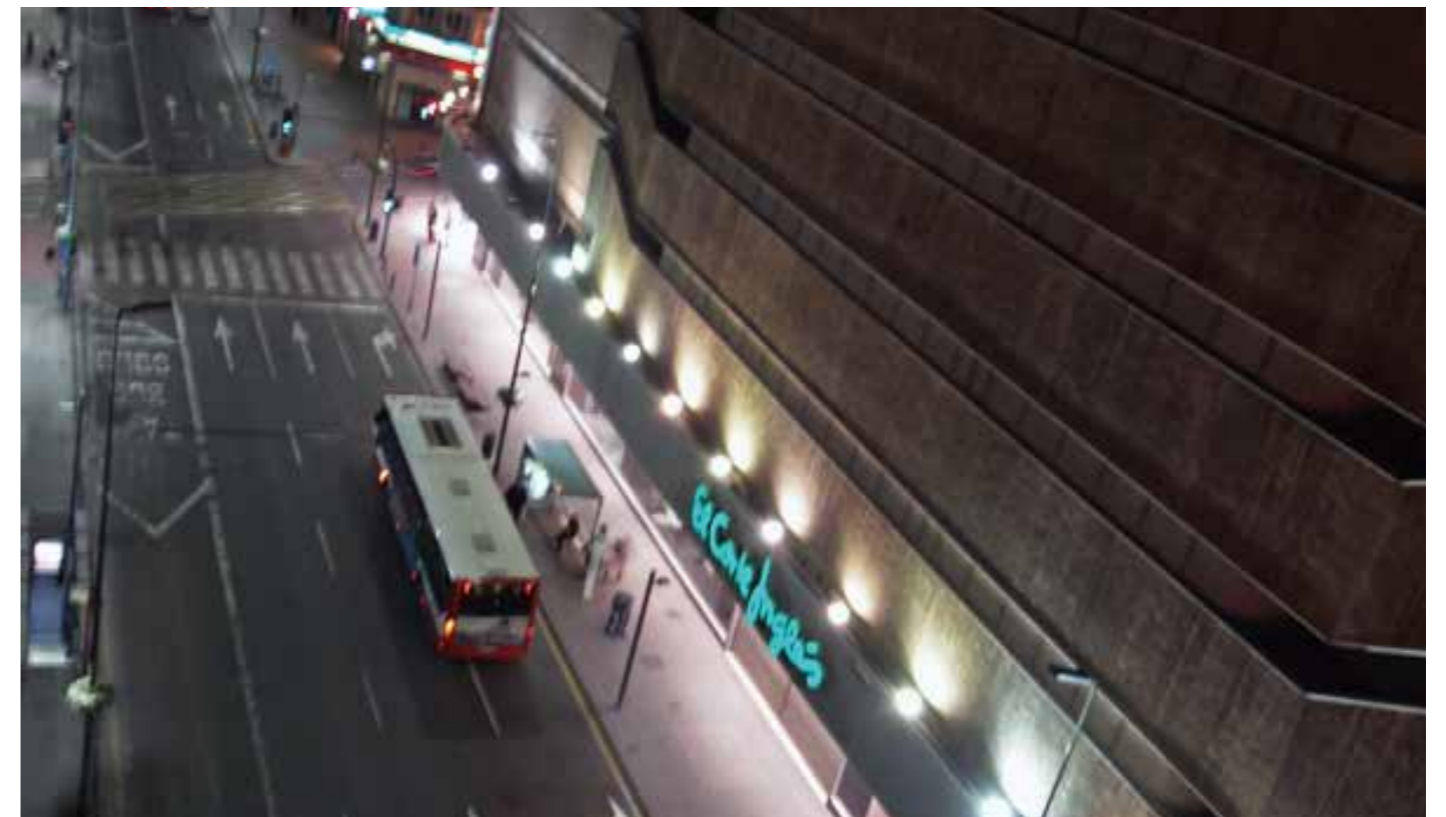
Project References



General Administration of Sport, Beijing, China



General Administration of Sport, Beijing, China



Spain

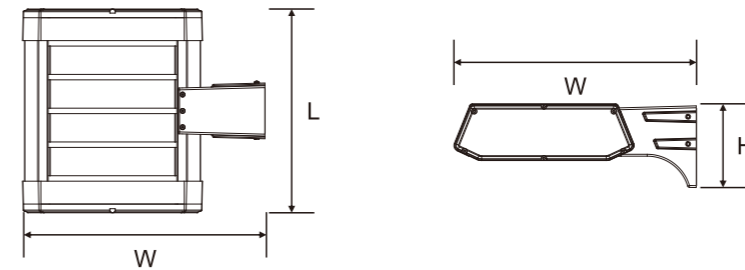
Wall Mount LED floodlight

FL2F2 series - Artemis Family



Model Number	System Power (W)	# of LEDs	Lumen Output 5000K (lm)	Weight(KG)	Dimensions (mm)
FL2F28012	33	1 x 14	3100	5.80 kg	L229 x W445 x H154
FL2F28022	62	2 x 14	5800	6.30 kg	L253 x W445 x H154
FL2F28032	93	3 x 14	8800	7.04 kg	L315 x W445 x H154
FL2F28042	123	4 x 14	12300	7.61 kg	L377 x W445 x H154
FL2F28052	155	5 x 14	15500	8.40 kg	L439 x W445 x H154
FL2F28062	185	6 x 14	18500	10.28 kg	L501 x W445 x H154
FL2F28072	216	7 x 14	21600	12.68 kg	L563 x W445 x H154
FL2F28082	246	8 x 14	24600	13.90 kg	L625 x W445 x H154
FL2F28092	277	9 x 14	27700	14.50 kg	L687 x W445 x H154
FL2F28102	308	10 x 14	30800	15.60 kg	L749 x W445 x H154

Dimensional drawing



Optical Specs:

LED Color Temperature	5000K (Options: 4000K and 3000K)
Color Rendering Index	Ra>70 (Options: Ra=75, Ra=80)
Light Distribution & LENS Kit	S1S113 (145°H x 105°V, Type I Short)
Options	A2S111 (134°H x 70°V, Type II Short)
Operating Temperature & Humidity	-40 C ~ 50 C / 10 ~ 95RH
Classification	IP66, Class I.
L70 hours @ 25 C	100,000

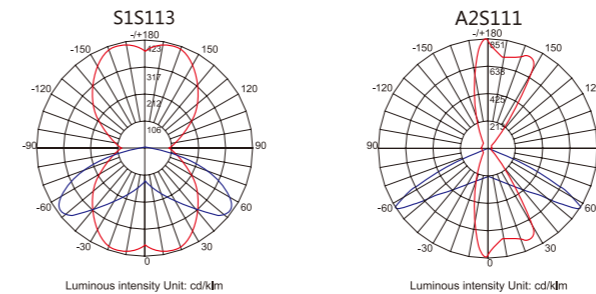
Electrical & other general Specs

Input	120~200~240~277V 50/60Hz (Option: 347~480V 50/60Hz)
Power Factor	>0.95
Drive Current	700mA (Options: 350mA, 525mA)

Material

Origin of LED Light Source	CREE or Lumileds
Origin of LED Driver(s)	Philips
Housing	Die cast aluminium
Heatsink	Extruded aluminium
Optics lens	Polycarbonate plastic

Light Distribution Curve





London, UK



Richifield Building G.A. USA



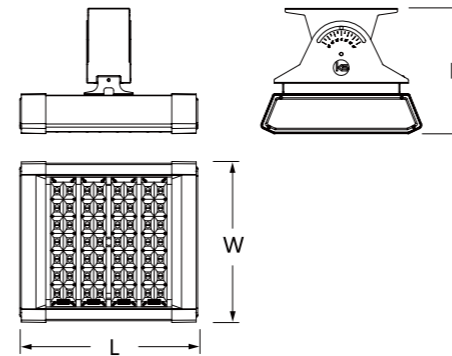
Richifield Building G.A. USA

TL2R2 series - Artemis Family

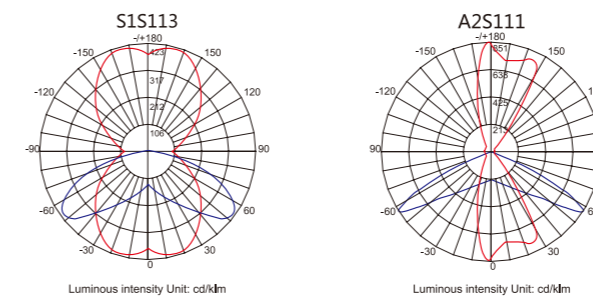


Model Number	System Power (W)	# of LEDs	Lumen Output 5000K (lm)	Weight(KG)	Dimensions (mm)
TL2R28012	33	1 x 14	3100	6.00	L221 x W330 x H267
TL2R28022	62	2 x 14	5800	6.83	L253 x W330 x H267
TL2R28032	93	3 x 14	8800	7.60	L315 x W330 x H267
TL2R28042	123	4 x 14	12300	9.60	L377 x W330 x H267
TL2R28052	155	5 x 14	15500	10.50	L439 x W330 x H267
TL2R28062	185	6 x 14	18500	11.20	L501 x W330 x H267
TL2R28072	216	7 x 14	21600	12.34	L563 x W330 x H267
TL2R28082	246	8 x 14	24600	13.10	L625 x W330 x H267
TL2R28092	277	9 x 14	27700	13.40	L687 x W330 x H267
TL2R28102	308	10 x 14	30800	14.89	L749 x W330 x H267

Dimensional drawing



Light Distribution Curve



Optical Specs:

LED Color Temperature	5000K (Options: 4000K and 3000K)
Color Rendering Index	Ra>70 (Options: Ra=75, Ra=80)
Light Distribution & LENS Kit	S1S113 (145°H x 105°V)
Options	A2S111 (134°H x 70°V)
Operating Temperature & Humidity	-40 C ~ 50 C / 10 ~ 95RH
Classification	IP66, Class I.
L70 hours @ 25 C	100,000

Electrical & other general Specs

Input	120~200~240~277V 50/60Hz (Option: 347~480V 50/60Hz)
Power Factor	>0.95
Drive Current	700mA (Options: 350mA, 525mA)

Material

Origin of LED Light Source	CREE or Lumileds
Origin of LED Driver(s)	Philips
Housing	Die cast aluminium
Heatsink	Extruded aluminium
Optics lens	Polycarbonate plastic





Da Mei Sha Tunnel, Shenzhen, China



Santiago, Chile



Santiago, Chile

Project References



Indoor Soccer, Nova Scotia, Canada



Badminton Court, Germany

Project References



Houston, USA



Moscow, Russia



Badminton Court, Netherland



DAIKI Home Center, Osaka, Japan

Project References



London, UK



Primax Petrol Station, Peru



Shenzhen Highway, China



Guatemala, South America

Project References



Santiago, Chile



Florida, USA



San Paulo, Brasil



Minnesota, USA